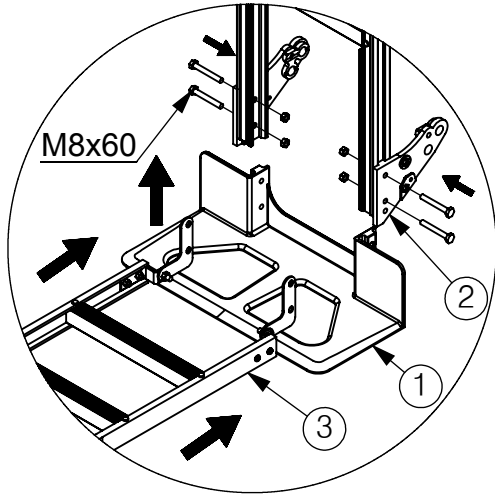


HS-1

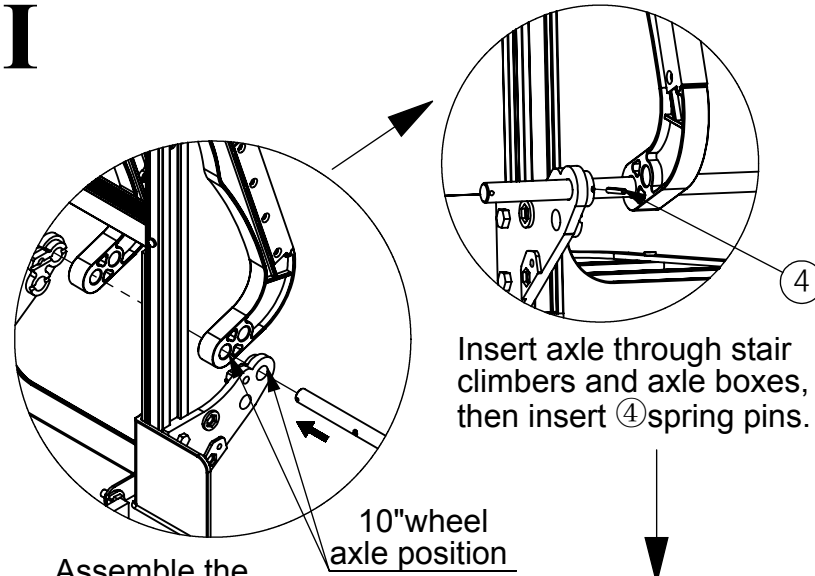
- ※ Read instructions thoroughly before proceeding.
- ※ Tighten all parts by hands. Don't use power tool.
- ※ For your safety, please do not overload.
- ※ For pneumatic wheel: Please check air pressure in tires. Maintain (30) PSI.

I



Please follow → direction for assemble.
① nose plate and ② axle boxes
③ extension plate then tight them.

II

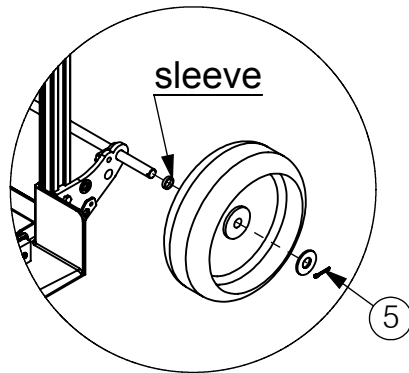


Assemble the stair climbers:

10" wheel axle position

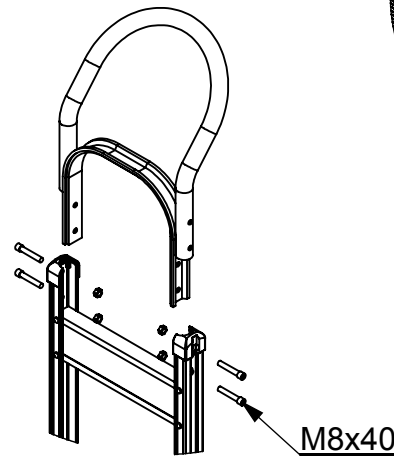
Insert axle through stair climbers and axle boxes, then insert ④ spring pins.

III

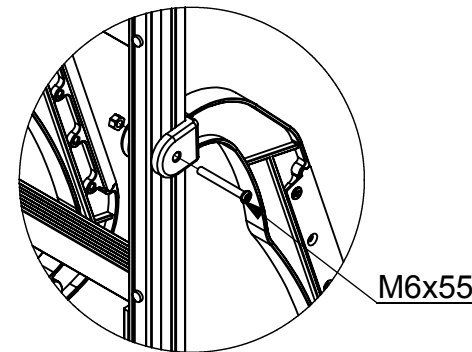


Insert sleeve, wheels in each side, and put the ⑤ cotter pins. Please bend the cotter pins.

IV



Insert the handles together and screw them.



After tight the bottom parts, please tight the upper of stair climbers.

